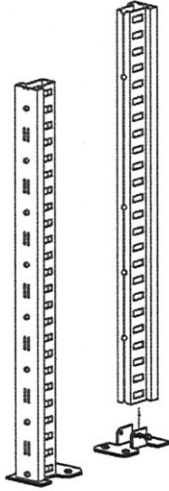


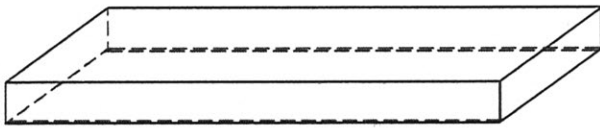
ASSEMBLY PLAN MRX/MRV

Basic components of MRX/MRV :

Upright + steel plate



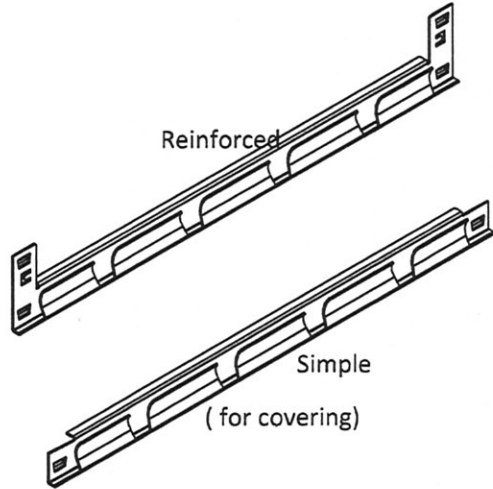
Panel



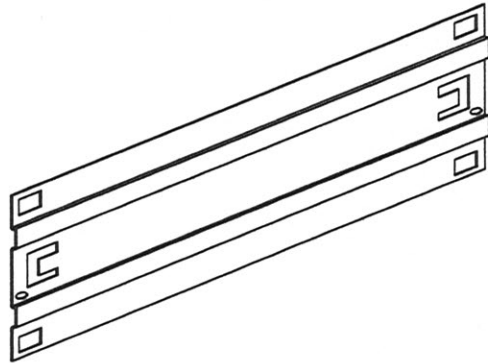
Depth: mm 100 - 200 - 300

Length (interax) : 550 - 700 - 850 - 1000 - 1150 - 1300

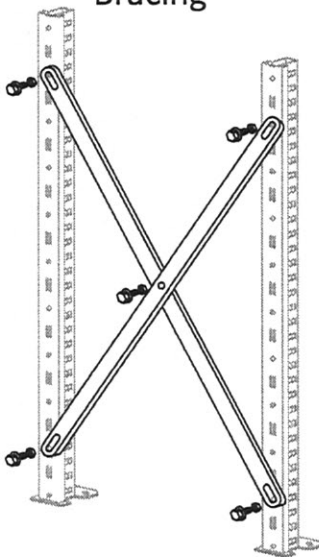
Simple and reinforced crossbar



Lateral plate



Bracing



Stiffening beam

