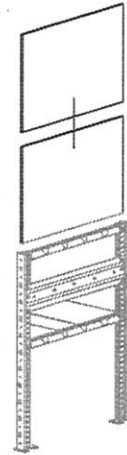
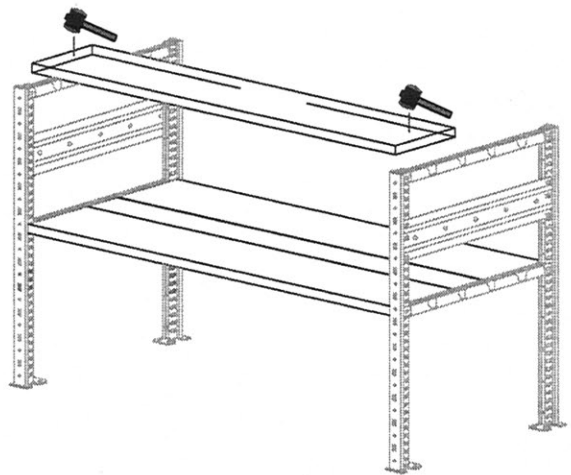


ASSEMBLY PLAN MRX/MRV

8) If you ordered lateral walls, insert them in the chinks of the uprights. Lower elements before; pay attention to insert the plastic joints between the different pieces.



9) Assemble the bays by inserting with a plastic hammer the panels in the flaps of the crossbars. The depth of a bay can be determined by using panels 100 - 200 - 300 mm large.



10) Assemble the bracings on the back in order to stabilize the structure. The bracing is made of 2 plates, which are tied through 5 bolts M5X20

11) Alternatively, in correspondence of a shelf, assemble the stiffening beams through 4 self-threading bolts 6,3 x 19.

